

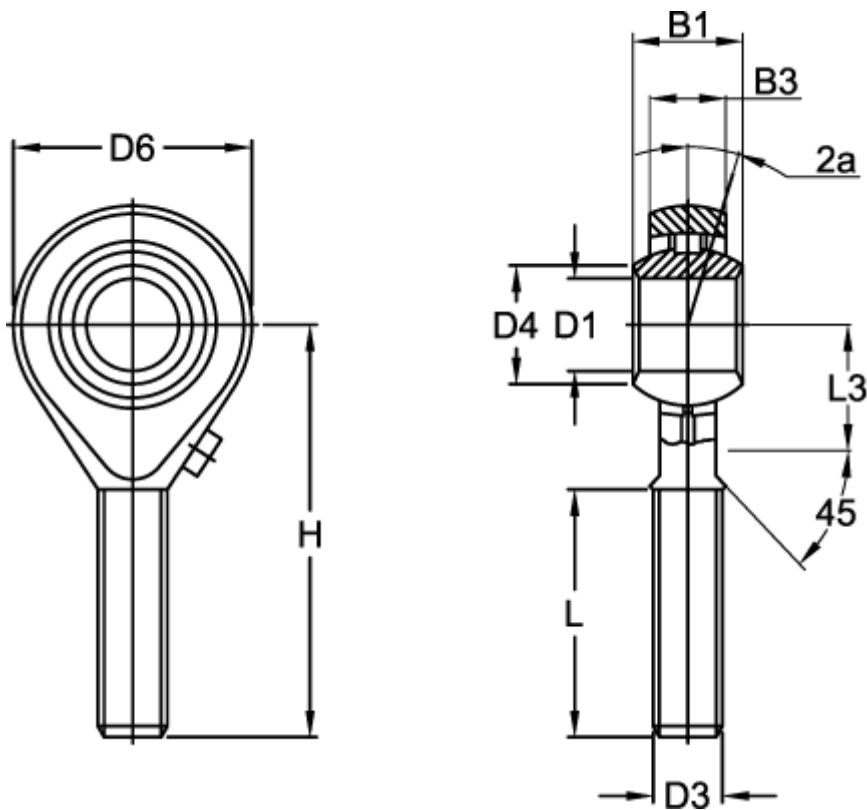
Data Sheet



Article number: 03701030

Description: Fluro rod end BRTM 30 L
threaded left with roller bearing

Measures



Angel 2a	= 7.5	H	= 110
B1	= 37	L	= 66
B3	= 25	L3	= 35
D1	= 30	Max rpm	= 450
D3	= M30x2	Static load (N)	= 24850
D4	= 34.5	Weight (kg)	= 0.912
D6	= 70		
Dynamic load C (N)	= 32500.0		